



Cryogenic Service Ball Valves Series Intervalve C1F, C3F, C8F

Class 150 / 300 / 600 / 800 Regular/Full port, Flanged Ends, Screwed, SW Ends Special Service Ball Valves For Cryo Application



2/3-PIECE, 2-WAY/3-WAY, BALL VALVES.

- ISO 5211 Mounting Pad
- Allows for mounting of actuator.
- Maintenance free live loaded double sealing stem packing ensures high cycles life and positive sealing.
- Blow-Out Proof Stem.

Authorised Dealer;
PUSHKARNA SALES PVT LTD.
4772. Hauz Qazi. Delhi-110006.
Phones; 011-43675881/9818453355.
Email; sales@pushkarnasales.com
Site; www.pushkarnasales.com

These ball valves meet test specifications as per BS 6364. Applications such as deep freezing and cooling involve cryogenic technology based on nitrogen, oxygen and other gases. A special type of PTFE grade ensures excellent mechanical resistance and stable torques at low temperatures. The cryogenic stem extension is provided. It is manufactured as a one piece item with the stem for increased mechanical strength. This positions stem and stem packing away from cryogenic fluid to prevent stem seal freeze up and ensures superior performance. These ball valves can be provided with Integral mounting pad ISO 5211 and can be used for actuation.

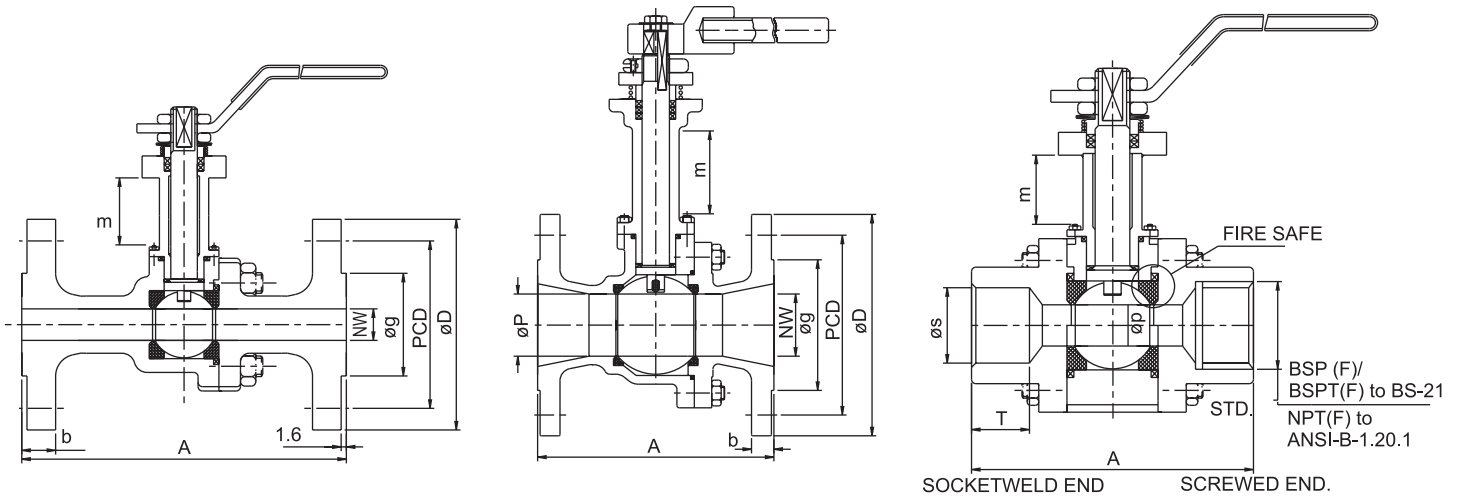
Conformity to codes & standards:

| | | | | | |
|---------------------------------|---|----------------------|----------------|---------------|---------------|
| General design & manufacturing. | : | API-6D | | | |
| Valve dimensions. | : | ANSIB 16.10/B 16.5 | | | |
| Valve inspection & testing | : | EN 12266 | # 800 | # 150 | # 300 |
| | | Hydro shell | : 211 kg/sq.cm | : 31 kg/sq.cm | : 77 kg/sq.cm |
| | | Seat test | : 69 kg/sq.cm | : 23 kg/sq.cm | : 51 kg/sq.cm |
| | | Air seat | : 7 kg/sq.cm | : 7 kg/sq.cm | : 7 kg/sq.cm |
| | | Fire Safe to API 607 | | | |
| Special features | : | Metal to Metal Seat | | | |

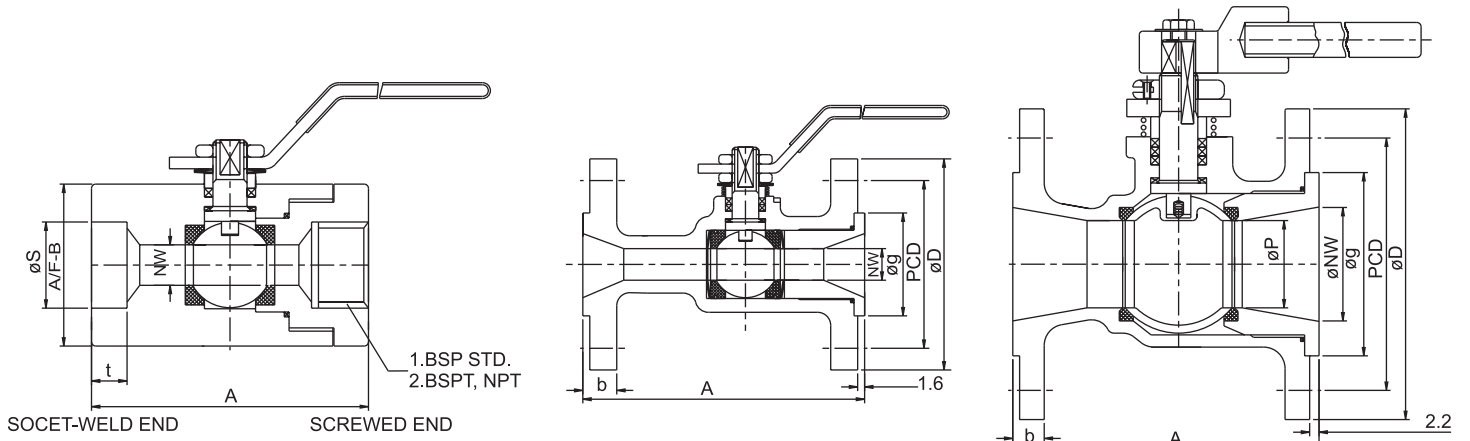
Technical specification:

| | | |
|-----------------|---|--|
| Valve type | : | 2-Way / 3-Way Ball Valve. |
| Body type | : | 2pc / 3pc. |
| Seat Type | : | Soft / Metal. |
| End connection | : | Flanged / Screwed / Socket Weld End. |
| Size range | : | 15 NB to 50 NB for reduced port/full port. |
| Pressure rating | : | Class 150, 300 & 800 |
| seat leakage | : | Class VI - Soft Scat, Class V-Metal Seat. |
| Operation | : | Hand lever / Gear / Actuator (Electrical / Pneumatic). |

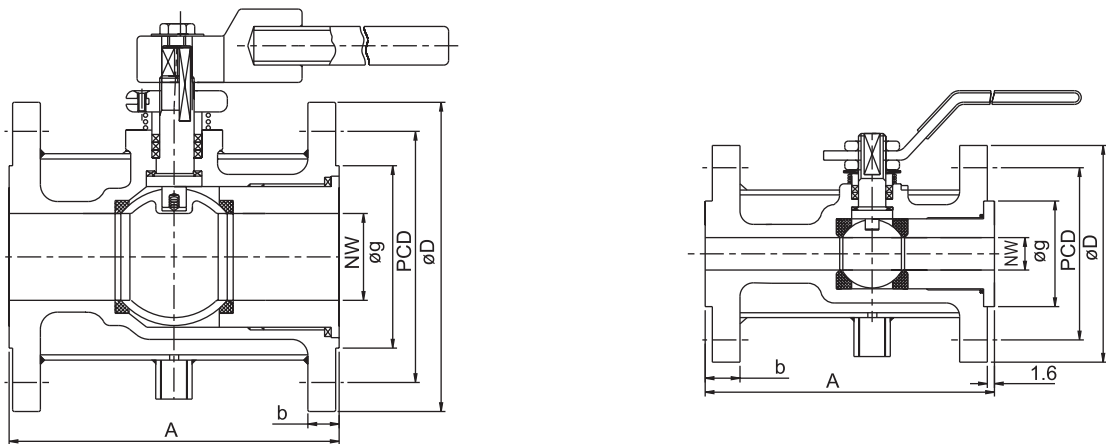
CRYOGENIC SERVICE AND LOW TEMP from - 45° to -196° BALL VALVES WITH EXTENDED STEM AS PER BS 6364.



1 PC. DESIGN BALL VALVES.



JACKETED BALL VALVES.



For Dimensional Details Contact us :